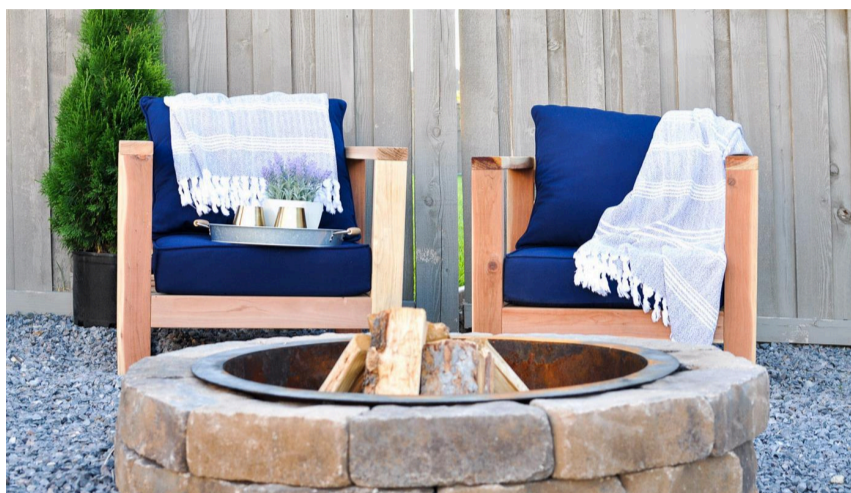


# DIY Modern Outdoor Chair

Difficulty

Easy

Build these comfy Modern Outdoor Chairs using only 2x4's. This chair sits a little low to the ground making it extremely comfortable to kick your feet out and relax around a fire or enjoy an evening with friends!



## Tools

### Kreg Tools



[Kreg Pocket-Hole Jig® 720](#)

### Other Tools

Miter Saw

Square

Table Saw

Drill (cordless)

Impact Driver

Sander

## Materials

### Wood Products

4 Redwood Board , 2x4 , 144"

### Hardware & Supplies

2 Boxes Kreg HD Screws (125 Ct)

1 Box 2 1/2" Outdoor Wood Screws

# Cut List & Parts

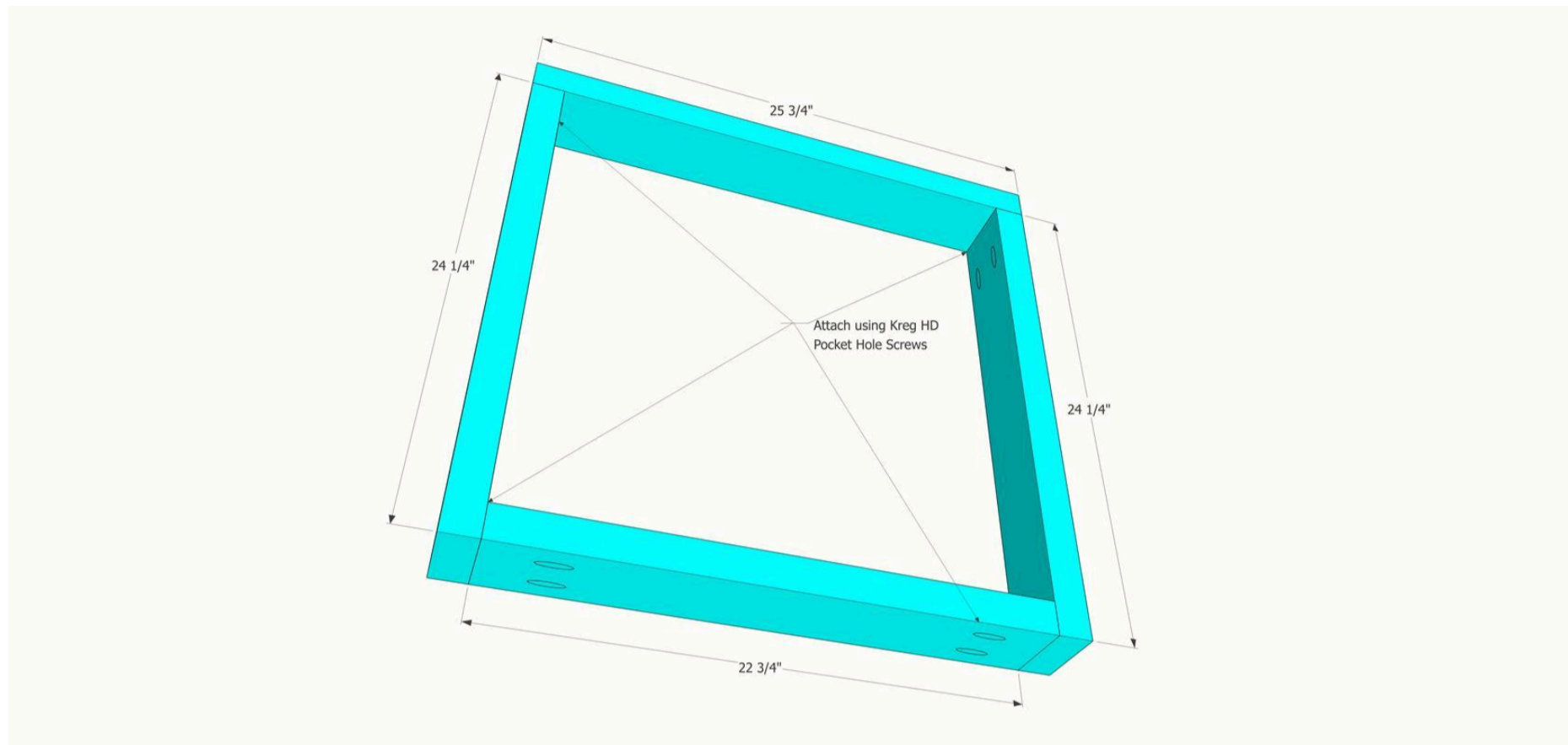
- 4 Seat Back Supports , 2"x4"x24"
- 4 Seat Supports , 2"x4"x24"
- 2 Arm Boards , 2"x4"x 25 3/4"
- 4 Arm Boards , 2"x4"x24 1/4"
- 2 Arm Boards , 2"x4"x22 3/4"
- 2 Seat Board Supports , 1 1/2"x1 3/4"x22 3/4"
- 2 Side Supports , 2"x4"x22 3/4"

# Directions

1

## Build Arms (2)

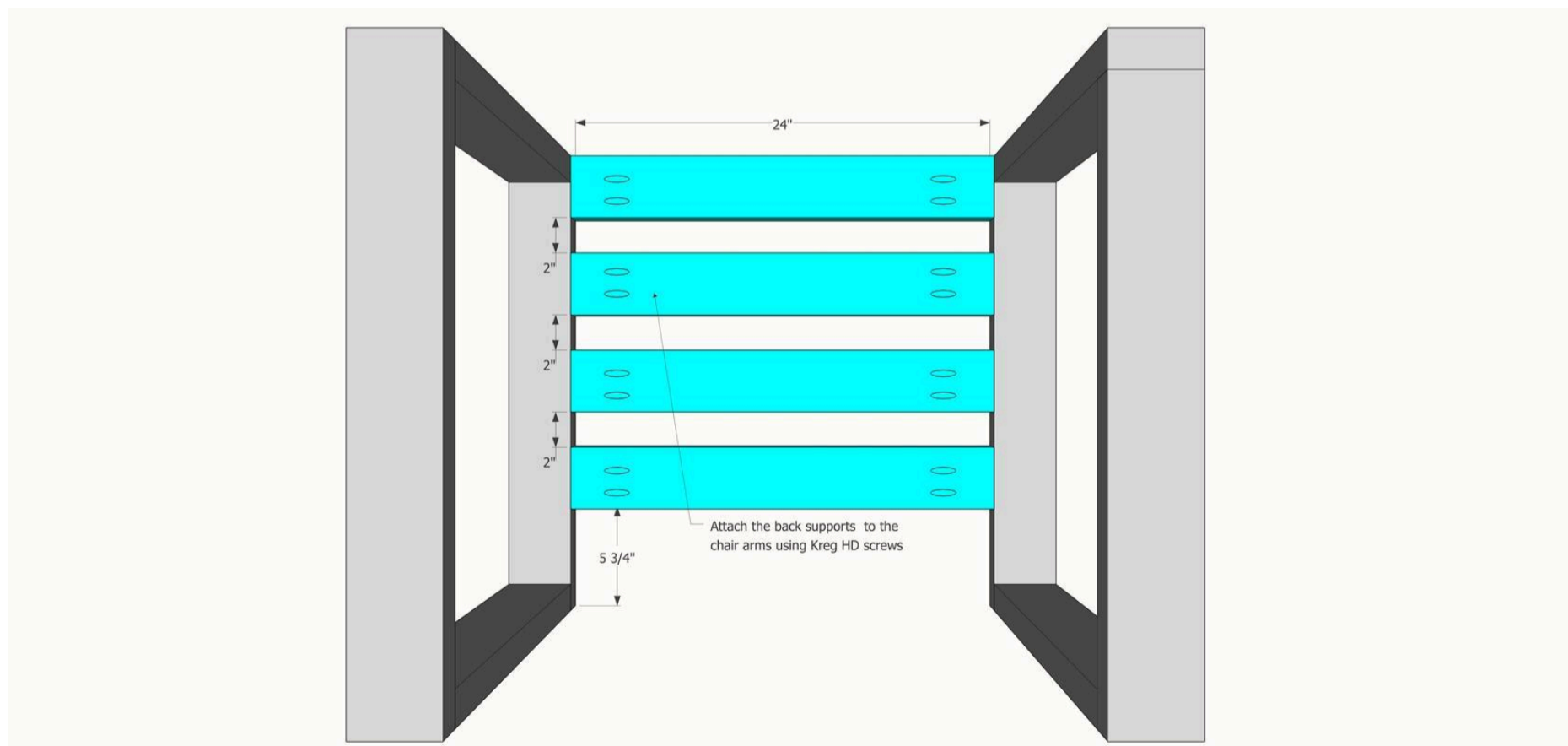
Cut the boards for the arms according to the image. Drill Kreg HD Pocket Holes and assemble the pieces as shown using Kreg HD Screws.



2

## Attach Back Supports

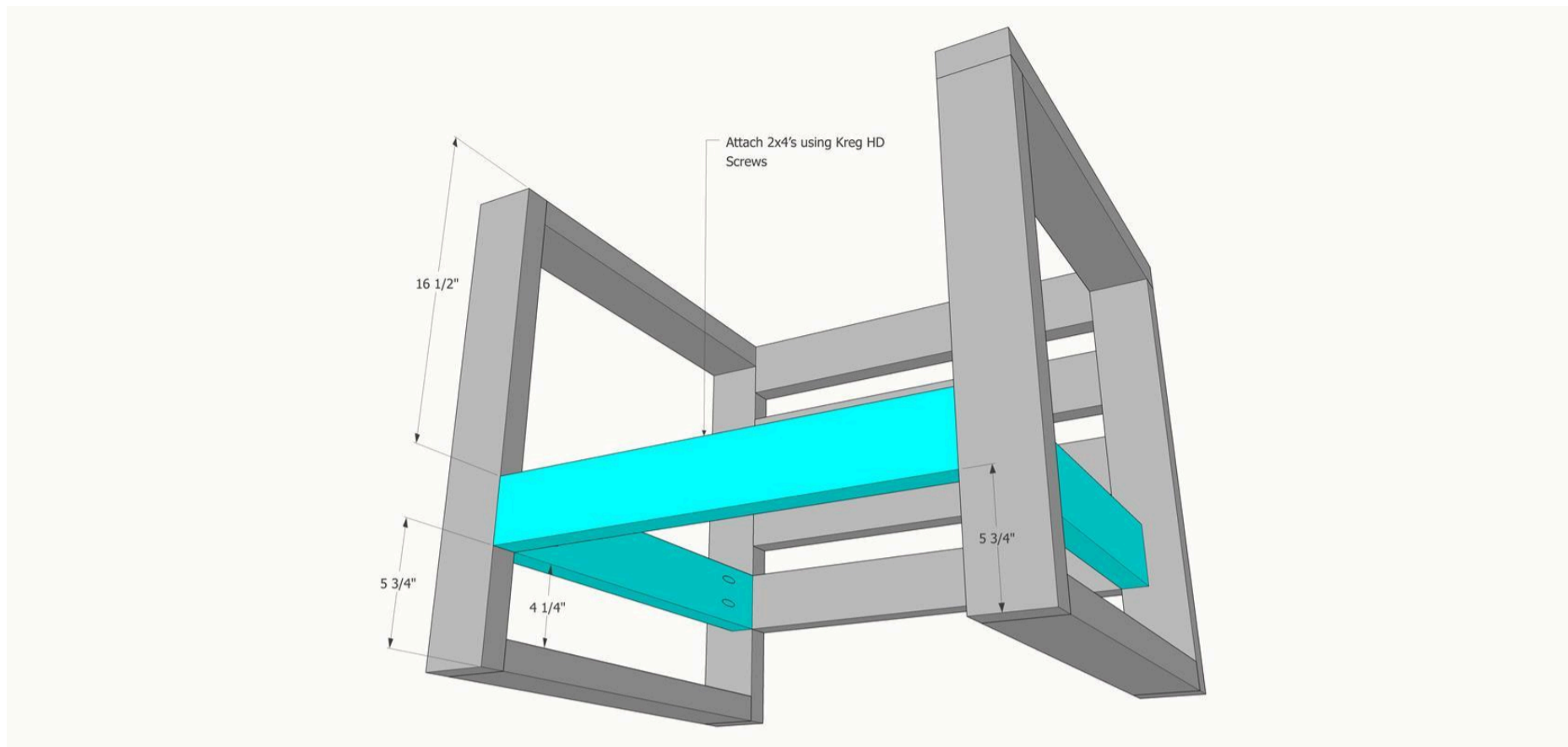
Attach the back supports to the two arms as shown in the diagram using Kreg HD Pocket Holes and Kreg HD Pocket Hole Screws.



### 3

#### Attach the Seat Facing

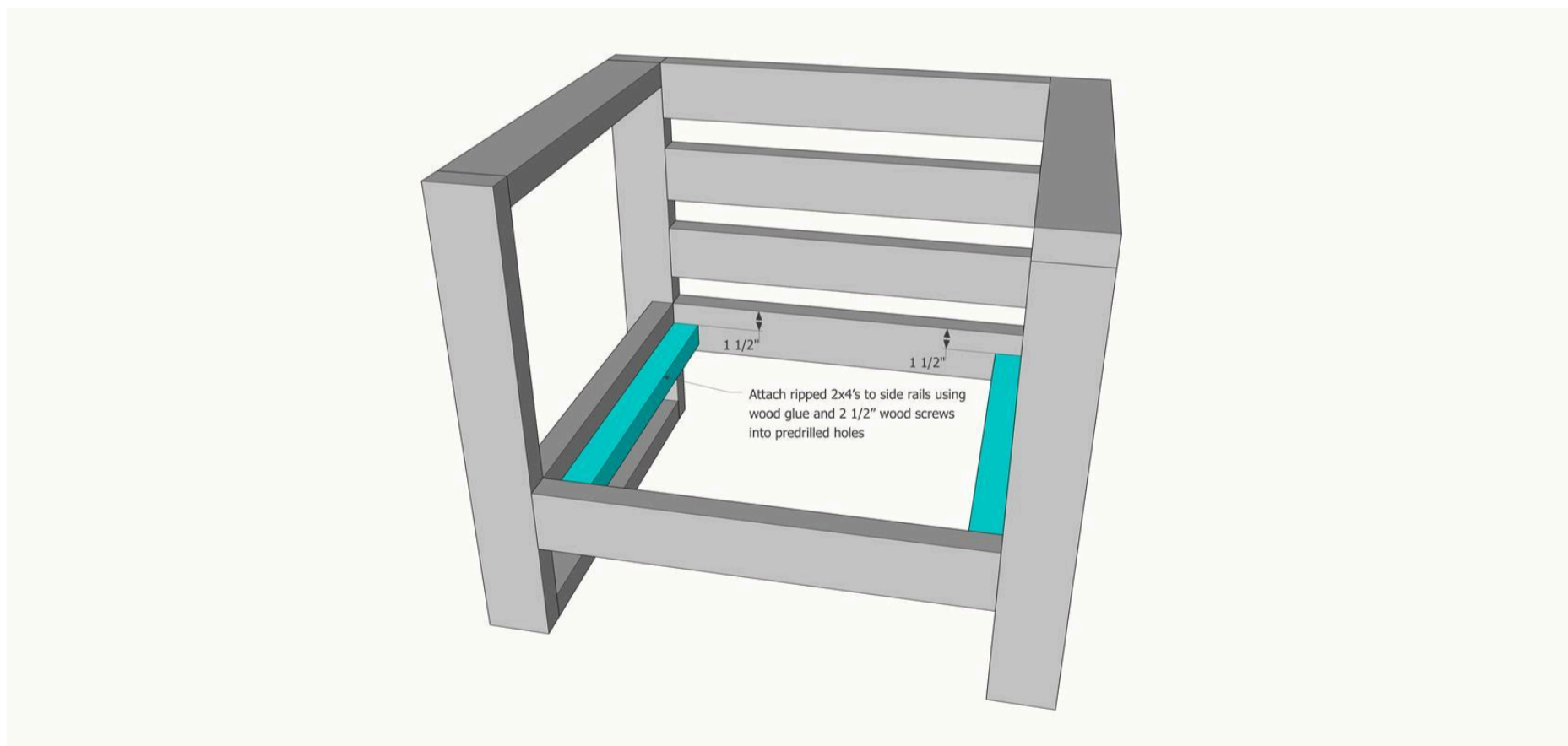
Attach the seat facing to the arms as shown using Kreg HD Pocket Holes and Kreg HD Screws.



### 4

#### Cut and Attach Side Rails

In order to get the two side rail supports (1 1/2" x 1 3/4" x 22 3/4") use a table saw to rip a 2x4 cut to 22 3/4" in half. Attach as shown using 2 1/2" outdoor wood screws.



**5****Attach Seat Supports**

Attach the seat supports to the side rails using 2 1/2" wood screws as shown.

